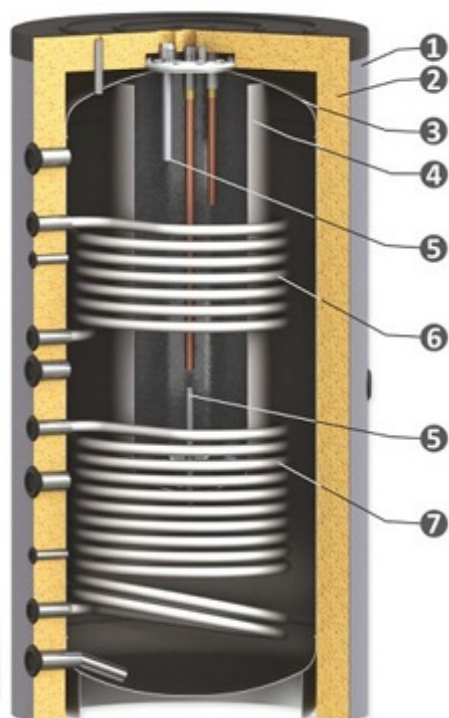




AKUMULATOR TOPLOTE / BUFFER KSC 2

- Opseg zapremine 600, 800, 1000, 1500 L
- Za akumulaciju i skladištenje toplotne energije i bojlerom za PTV, sanitarne vode.
- Sa jednim izmenjivača toplote.
- Kompleks antikorozivne zaštite bojlera PTV, sanitarne vode pomoću titanijumskog sloja, (DIN 4753-3).
- Dve anodne zaštite, (DIN 4753-6).
- Vertikalni akumulator toplote od čelika S235JR
- Termoizolacija CFC PU-pena debljine 100 mm
- Spoljna oplata PVC - RAL 9006

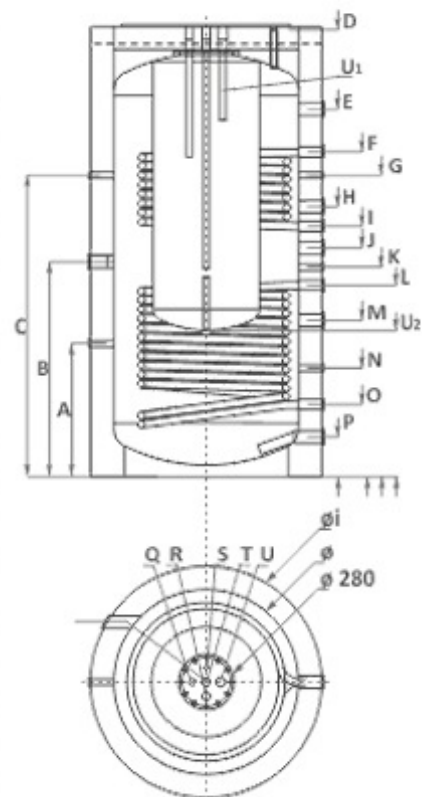


- Estetska PVC obloga, RAL 9006
- Termoizolacija
- Tank za akumulaciju toplotne energije
- PTV tank-sanitarna voda / niskougljenični čelik sa titanijumskim slojem (DIN 4753-3)
- Anodna zaštita (DIN 4753-6)
- Izmenjivač toplote - 1
- Izmenjivač toplote - 2
- Sigurnosni ventil





		KSC 2 600/150	KSC 2 800/200	KCS 2 1000/220	KSC 2 1500/300
Capacity	l	600	800	1000	1500
Buffer capacity/DHW tank capacity	l	450/150	600/200	780/220	1200/300
Height H / Min. vertical clearance	mm	1880/1970	1910/2020	2090/2185	2220/2375
Diameter D / w. insulation	mm	ø 650/850	ø 790/990	ø 790/990	ø 1000/1200
Lower heat exchanger coil S1					
Heat exchange surface	m ²	1.7	2.9	3.0	3.4
Coil capacity	l	10.5	17.9	18.5	21.0
Upper heat exchanger coil S2					
Heat exchange surface	m ²	1.0	1.8	2.0	2.4
Coil capacity	l	6.2	11.1	12.3	14.8
Oper. pressure / max. coil temp.	bar/°C	16/110	16/110	16/110	16/110
Oper. pressure / max. buffer temp.	bar/°C	3/95	3/95	3/95	3/95
Oper. pressure / max. DHW tank temp.	bar/°C	10/95	10/95	10/95	10/95
Recommended boiler size, connected to the buffer	kW	10-17	15-27	18-33	27-50
Thermometer		optional	optional	optional	optional
Anode protector		✓	✓	✓	✓
Electric heater (optional)	kW	3/4.5	3/4.5	3/4.5	3/4.5
Weight	kg	195	237	267	460
Sensor sleeve	A, mm	G¾"/440	G¾"/570	G¾"/580	G¾"/875
Electric heating element (optional)	B, mm	G1½"/860	G1½"/920	G1½"/1130	G1½"/1130
Sensor sleeve	C, mm	G¾"/1440	G¾"/1290	G¾"/1500	G¾"/1700
Air vent sleeve	D, mm	G¾"/1880	G¾"/1910	G¾"/2090	G¾"/2220
Boiler heat carrier inlet/sleeve	E, mm	G1½"/1550	G1½"/1573	G1½"/1742	G1½"/1808
Upper coil inlet S2/sleeve	F, mm	G1"/1300	G1"/1390	G1"/1520	G1"/1635
Sensor sleeve	G, mm	G¾"/1150	G¾"/1290	G¾"/1450	G¾"/1525
Boiler heat carrier / sleeve	H, mm				G1½"/1305
Upper coil outlet S2	I, mm	G1"/1020	G1"/1072	G1"/1172	G1"/1225
Boiler heat carrier / sleeve	J, mm	G1½"/910	G1½"/980	G1½"/1060	G1½"/1130
Sleeve	K, mm				G¾"/975
Lower coil inlet S1/sleeve	L, mm	G1"/800	G1"/820	G1"/880	G1"/895
Boiler heat carrier / sleeve	M, mm	G1½"/650	G1½"/670	G1½"/730	G1½"/765
Sensor sleeve	N, mm	G¾"/490	G¾"/465	G¾"/495	G¾"/520
Lower coil outlet S1/sleeve	O, mm	G1"/280	G1"/310	G1"/310	G1"/375
Boiler heat carrier / sleeve	P, mm	G1½"/150	G1½"/170	G1½"/170	G1½"/235
Recirculation	Q, mm	G¾"/1880	G¾"/1910	G¾"/2090	G¾"/2220
Hot water outlet	R, mm	G1"/1880	G1"/1910	G1"/2090	G1"/2220
Air vent sleeve	S, mm	G¾"/1880	G¾"/1910	G¾"/2090	G¾"/2200
Cold water inlet	T, mm	G1"/1880	G1"/1910	G1"/2090	G1"/2220
Anode protectors	U1 mm	G1½"/1880	G1½"/1910	G1½"/2090	G1½"/2220
	U2 mm	G1½"/850	G1½"/607	G1½"/647	G1½"/881



DHW tank

UNISS COM LAB d.o.o. - Srbija
 Petra Dobrnjca 151, 12300 Petrovac na Mlavi
 Tel. 012/328-023; Fax. 012/71-00-343
 Mob. 065/5-320-550; 063/800-73-17
 Direktor: Srboľjub Ilić
 E-mail: uniss.grejanje@gmail.com
 www.unissgrejanje.com
 www.westech-solar.rs

