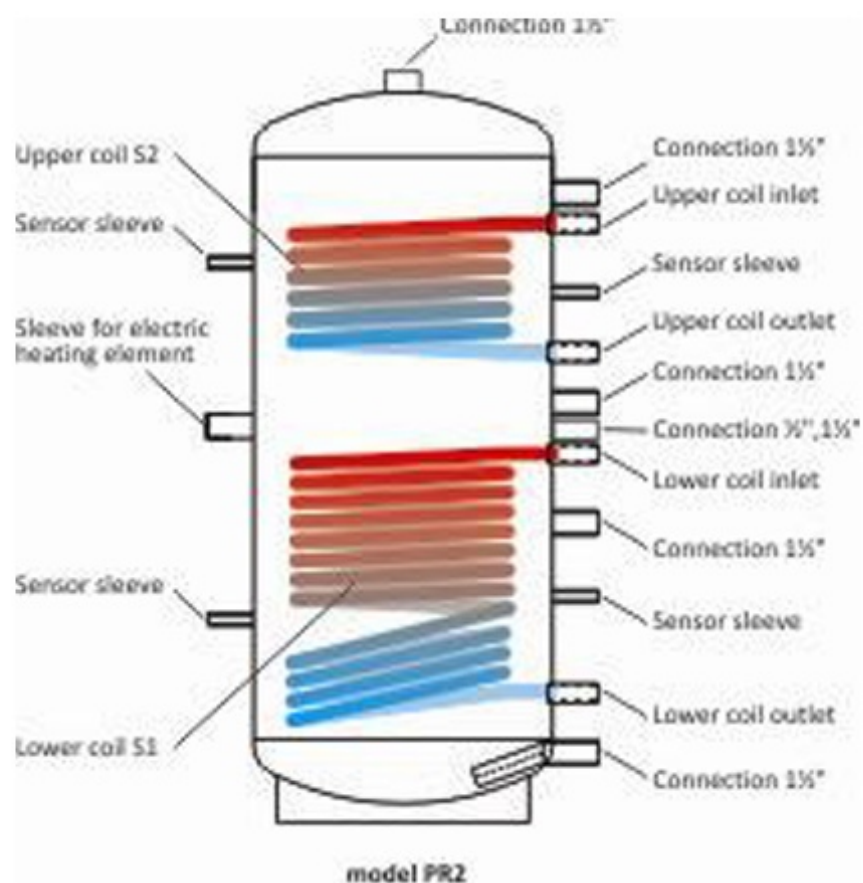




AKUMULATOR TOPLOTE / BUFFER PR2

Opseg zapremine 500, 800, 1000, 1500, 2000 L

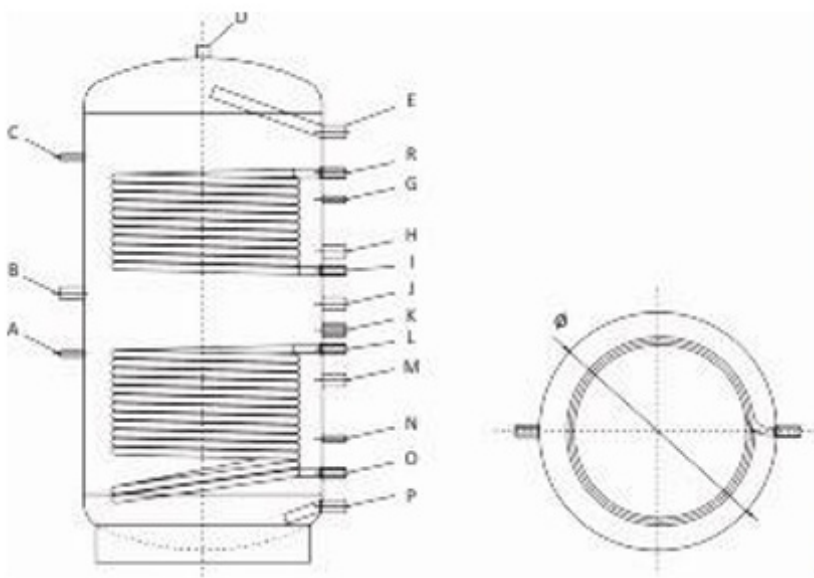
- Za akumulaciju i skladištenje toplotne energije
- Sa dva izmenjivača toplote.
- Vertikalni akumulator toplote od čelika S235JR
- Termoizolacija CFC PU-pena debljine 100 mm
- Spoljna oplata PVC - RAL 9006



model P



model PR



Technical specification:

Model		PR2 300	PR2 500	PR2 800	PR2 1000	PR2 1500	PR2 2000	PR2 2500
Volume	l	300	500	800	1000	1500	2000	2500
Diameter / w. insulation	mm	550/750	650/850	790/990	790/990	1000/1200	1150/1350	1150/1350
Height / w. insulation	mm	1410/1460	1610/1660	1860/1910	2040/2090	2170/2220	2200/2250	2680/2730
Mounting height	mm	1430	1640	1900	2075	2220	2260	2730
Lower coil S1 Heat exchanging surface	m ²	1.0	1.7	2.9	3.0	3.4	4.0	4.0
Volume	l	6.2	10.5	17.9	18.5	21.0	24.6	24.6
Upper coil S2 Heat exchanging surface	m ²	0.5	1.0	1.8	2.0	2.4	2.4	2.4
Volume	l	3.1	6.2	11.1	12.3	14.8	14.8	14.8
Operating pressure /Coils temperature	bar/°C	16/110	16/110	16/110	16/110	16/110	16/110	16/110
Operating pressure /Buffer temperature	bar/°C	3/95	3/95	3/95	3/95	3/95	3/95	3/95
Recommendable size of boiler connected to the buffer	kW	6-10	10-17	15-27	18-33	27-50	36-67	45-83
Sensor sleeve ½"	A	410	410	570	580	875	920	920
Sleeve for heating element 1½"	B	760	790	920	1130	1130	1170	1170
Sensor sleeve ½"	C	1060	1120	1290	1500	1700	1690	1690
Connection 1½"	D	1410	1610	1860	2040	2170	2200	2680
Connection 1½"	E	1170	1370	1573	1742	1808	1820	2300
Upper coil inlet 1"	R	1080	1270	1390	1520	1635	1670	1920
Sensor sleeve ½"	G	1010	1120	1290	1450	1525	1590	1867
Connection 1½"	H	880	990	-	-	1305	1420	1670
Upper coil outlet 1"	I	880	990	1072	1172	1225	1310	1560
Connection 1½"	J	770	880	980	1060	1085	1170	1420
Connection ½",1½"	K	-	-	-	-	975 (½")	-	1170 (1½")
Lower coil inlet 1"	L	660	770	820	880	895	980	980
Connection 1½"	M	540	620	670	730	765	735	735
Sensor sleeve ½"	N	420	460	465	495	520	500	500
Lower coil outlet 1"	O	260	250	310	310	375	380	380
Connection 1½"	P	150	150	170	170	235	230	230
Weight	kg	100	140	185	220	348	456	497

UNISS COM LAB d.o.o. - Srbija
 Petra Dobrnjca 151, 12300 Petrovac na Mlavi
 Tel. 012/328-023; Fax. 012/71-00-343
 Mob. 065/5-320-550; 063/800-73-17
 Direktor: Srbojub Ilić
 E-mail: uniss.grejanje@gmail.com
 www.unissgrejanje.com
 www.westech-solar.rs

