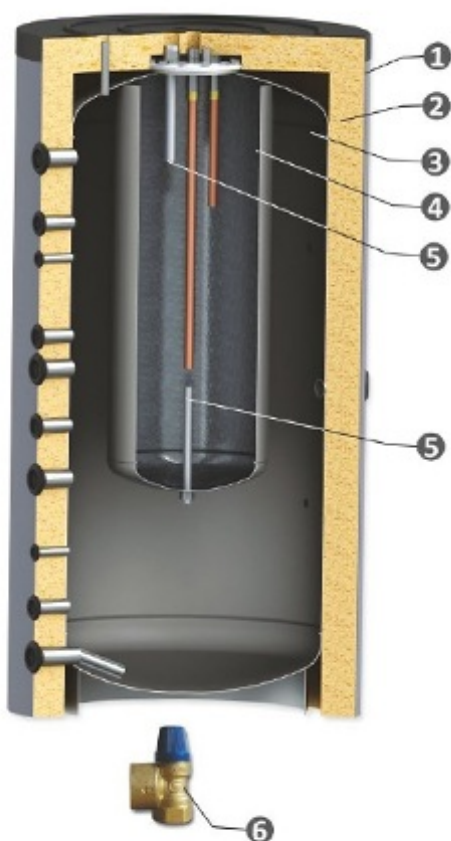




AKUMULATOR TOPLOTE / BUFFER KSC

- Opseg zapremine 600, 800, 1000, 1500 L
- Za akumulaciju i skladištenje toplotne energije i bojlerom za PTV, sanitarne vode.
- Bez izmenjivača toplote.
- Kompleks antikorozivne zaštite bojlera PTV, sanitarne vode pomoću titanijumskog sloja, (DIN 4753-3).
- Dve anodne zaštite, (DIN 4753-6).
- Vertikalni akumulator toplote od čelika S235JR
- Termoizolacija CFC PU-pena debljine 100 mm
- Spoljna oplata PVC - RAL 9006

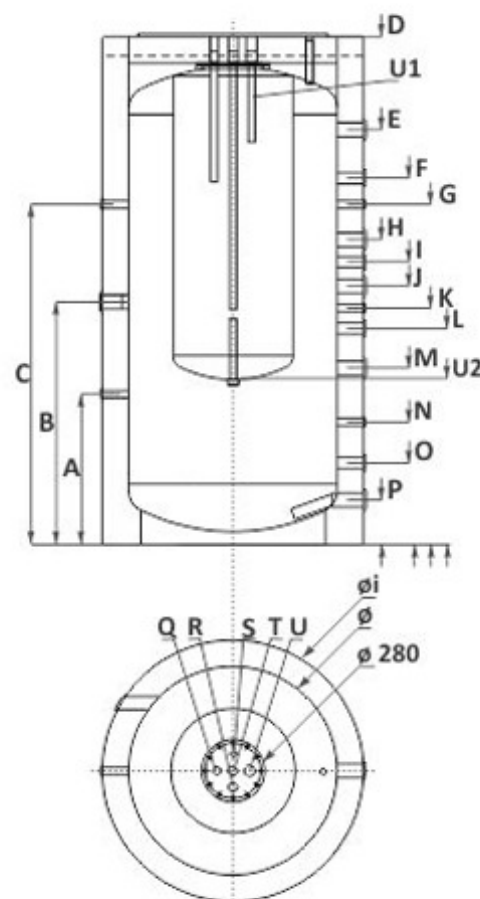


- Estetska PVC obloga, RAL 9006
- Termoizolacija
- Tank za akumulaciju toplotne energije
- PTV tank-sanitarna voda - niskougljenični čelik sa titanijumskim slojem (DIN 4753-3)
- Anodna zaštita (DIN 4753-6)





	KSC 600/150	KSC 800/200	KSC 1000/220	KSC 1500/300	
Capacity l	600	800	1000	1500	
Buffer capacity/DHW tank capacity l	450/150	600/200	780/220	1200/300	
Height H / Min. vertical clearance mm	1880/1970	1910/2020	2090/2185	2220/2375	
Diameter D / w. insulation mm	ø 650/850	ø 790/990	ø 790/990	ø 1000/1200	
Oper. pressure / max. buffer temp. bar°/C	3/95	3/95	3/95	3/95	
Oper. pressure / max. DHW tank temp. bar°/C	10/95	10/95	10/95	10/95	
Recommended boiler size, connected to the buffer kW	10-17	15-27	18-33	27-50	
Thermometer	optional	optional	optional	optional	
Anode protector	✓	✓	✓	✓	
Electric heater (optional) kW	3/4.5	3/4.5	3/4.5	3/4.5	
Weight kg	154	178	199	386	
Sensor sleeve A, mm	G½"/440	G½"/570	G½"/580	G½"/875	
Electric heating element (optional) B, mm	G1½"/860	G1½"/920	G1½"/1130	G1½"/1130	
Sensor sleeve C, mm	G½"/1440	G½"/1290	G½"/1500	G½"/1700	
Air vent sleeve D, mm	G½"/1880	G½"/1910	G½"/2090	G½"/2220	
Boiler heat carrier inlet/sleeve E, mm	G1½"/1550	G1½"/1573	G1½"/1742	G1½"/1808	
Upper coil inlet S2/sleeve F, mm	G1"/1300	G1"/1390	G1"/1520	G1"/1635	
Sensor sleeve G, mm	G½"/1150	G½"/1290	G½"/1450	G½"/1525	
Boiler heat carrier / sleeve H, mm				G1½"/1305	
Upper coil outlet S2 I, mm	G1"/1020	G1"/1072	G1"/1172	G1"/1225	
Boiler heat carrier / sleeve J, mm	G1½"/910	G1½"/980	G1½"/1060	G1½"/1130	
Sleeve K, mm				G½"/975	
Lower coil inlet S1/sleeve L, mm	G1"/800	G1"/820	G1"/880	G1"/895	
Boiler heat carrier / sleeve M, mm	G1½"/650	G1½"/670	G1½"/730	G1½"/765	
Sensor sleeve N, mm	G½"/490	G½"/465	G½"/495	G½"/520	
Lower coil outlet S1/sleeve O, mm	G1"/280	G1"/310	G1"/310	G1"/375	
Boiler heat carrier / sleeve P, mm	G1½"/150	G1½"/170	G1½"/170	G1½"/235	
Recirculation Q, mm	G¾"/1880	G¾"/1910	G¾"/2090	G¾"/2220	
Hot water outlet R, mm	G1"/1880	G1"/1910	G1"/2090	G1"/2220	
Air vent sleeve S, mm	G½"/1880	G½"/1910	G½"/2090	G½"/2200	
Cold water inlet T, mm	G1"/1880	G1"/1910	G1"/2090	G1"/2220	
Anode protectors	U1 mm	G1½"/1880	G1½"/1910	G1½"/2090	G1½"/2220
	U2 mm	G1½"/850	G1½"/607	G1½"/647	G1½"/881



DHW tank

UNISS COM LAB d.o.o. - Srbija
 Petra Dobrnjca 151, 12300 Petrovac na Mlavi
 Tel. 012/328-023; Fax. 012/71-00-343
 Mob. 065/5-320-550; 063/800-73-17
 Direktor: Srboľjub Ilić
 E-mail: uniss.grejanje@gmail.com
 www.unissgrejanje.com
 www.westech-solar.rs

